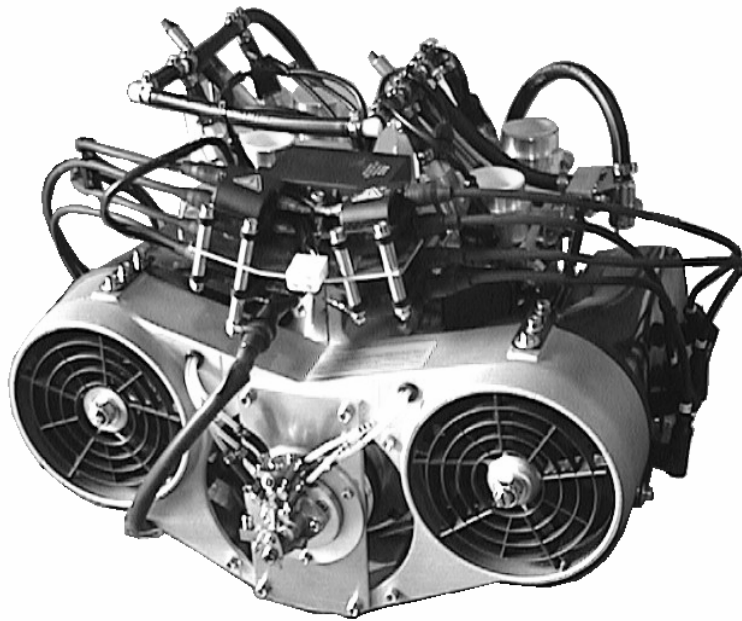




Göbler-Hirthmotoren KG

Spare part list



Engine

H30 ES

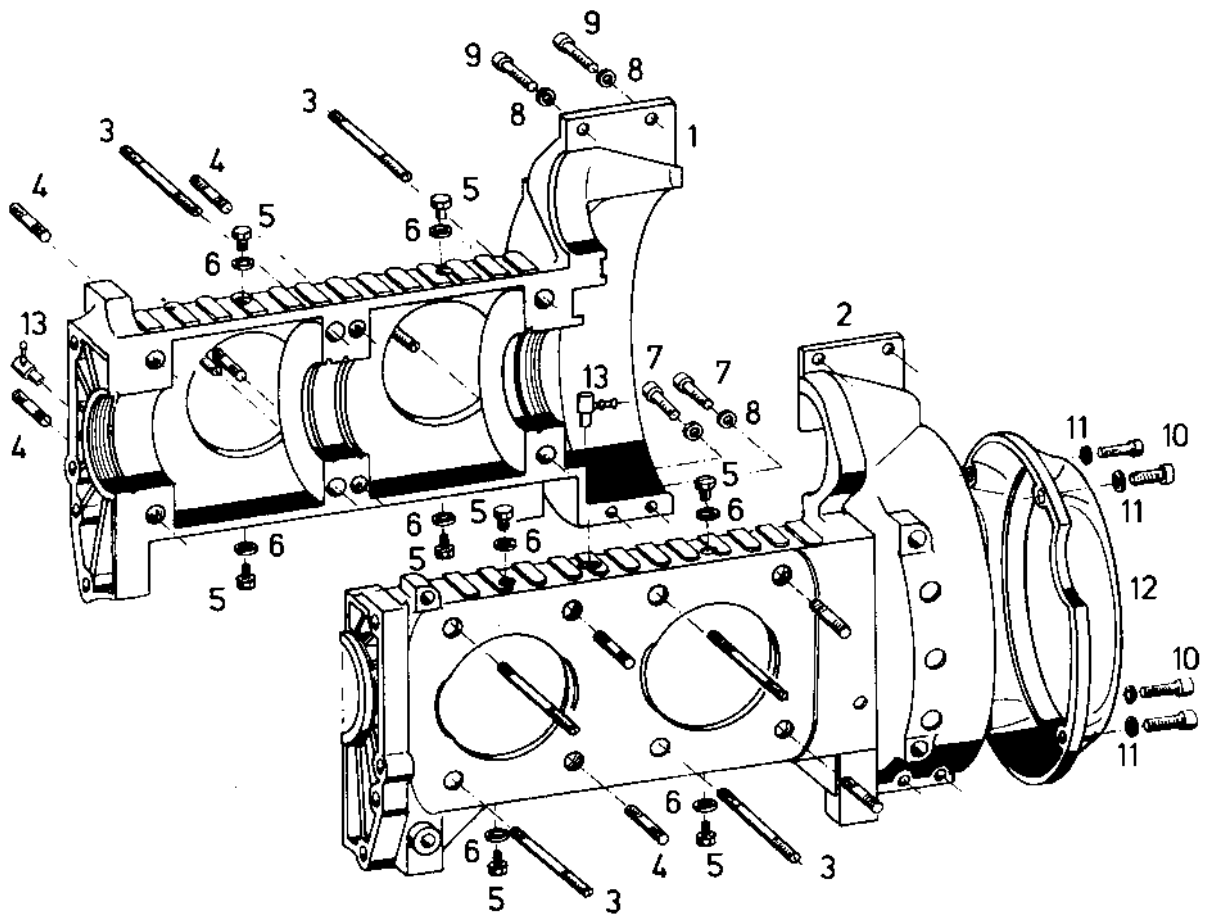
In view of the continuous progress and development of our products we have to reserve us the right to modify or change the extent of supply regarding design, technique and equipment. We ask for your comprehension, too, that no claims can be asserted from the specification of this spare parts list.

Göbler-Hirthmotoren KG, Max-Eyth-Str. 10, D-71726 Benningen
Tel.: 0049-7144-8551-0, Fax: 0049-7144-5415
e-mail: info@hirth-engines.de, internet: www.hirth-engines.de

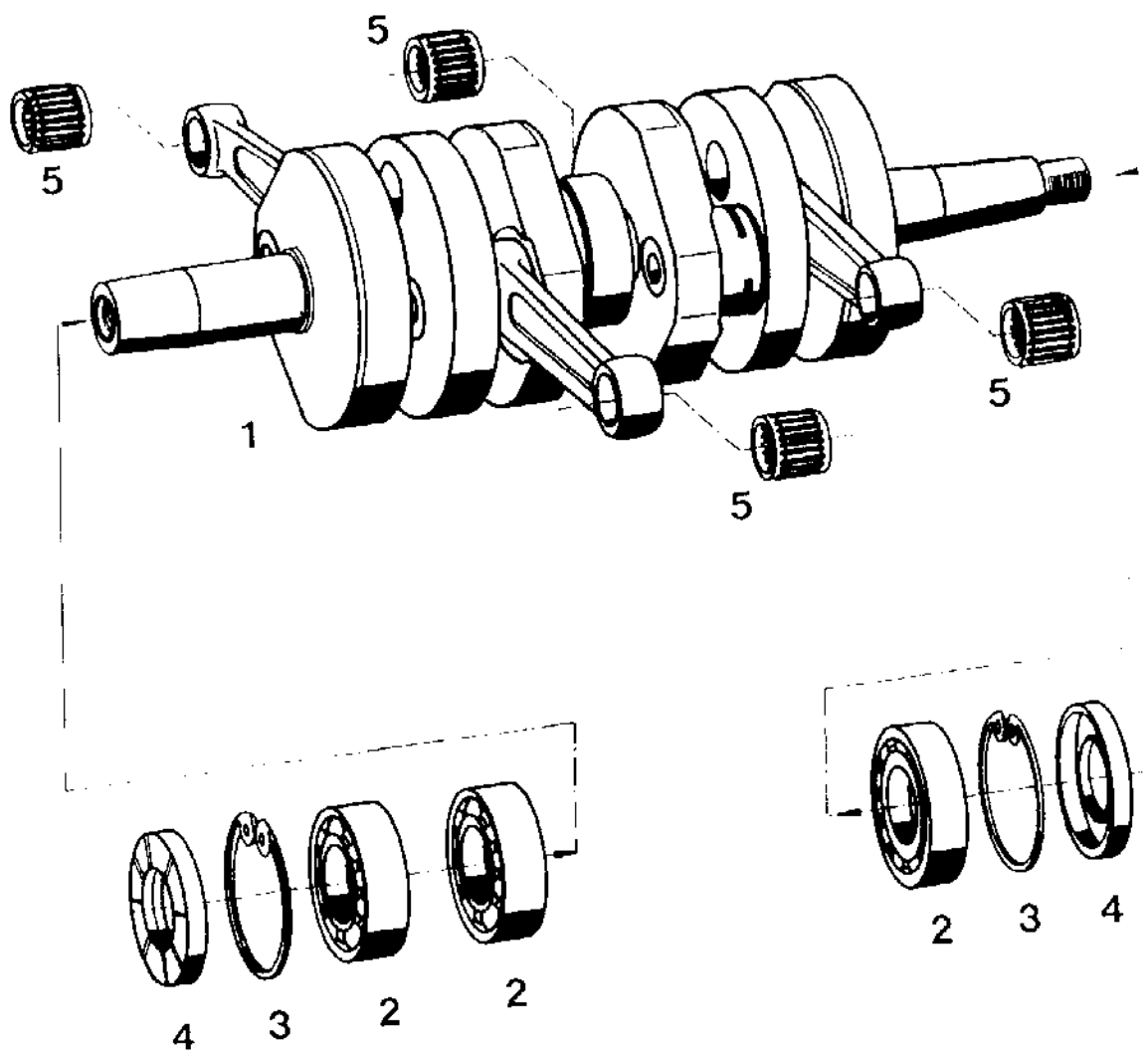
1. Table of contents of spare part list H 30 ES

<u>Chapter</u>	<u>Side</u>	<u>Signification</u>
1	1	Table of contents of spare part list H 30 ES
2	2	Crank case H 30 ES
3	4	Crank shaft H 30 ES
4	6	Cylinder Dual ignition H 30 ES
5	8	Fan dual ignition H 30 ES
6	10	Ignition lighting system dual ignition H 30 ES
7	12	Start device H 30 ES
8	14	Fuel mixture H 30 ES
9	16	Exhaust system H 30 ES
10	18	Exhaust system H 30 ES (Ultrasport)
11	20	Oil injection H 30 ES

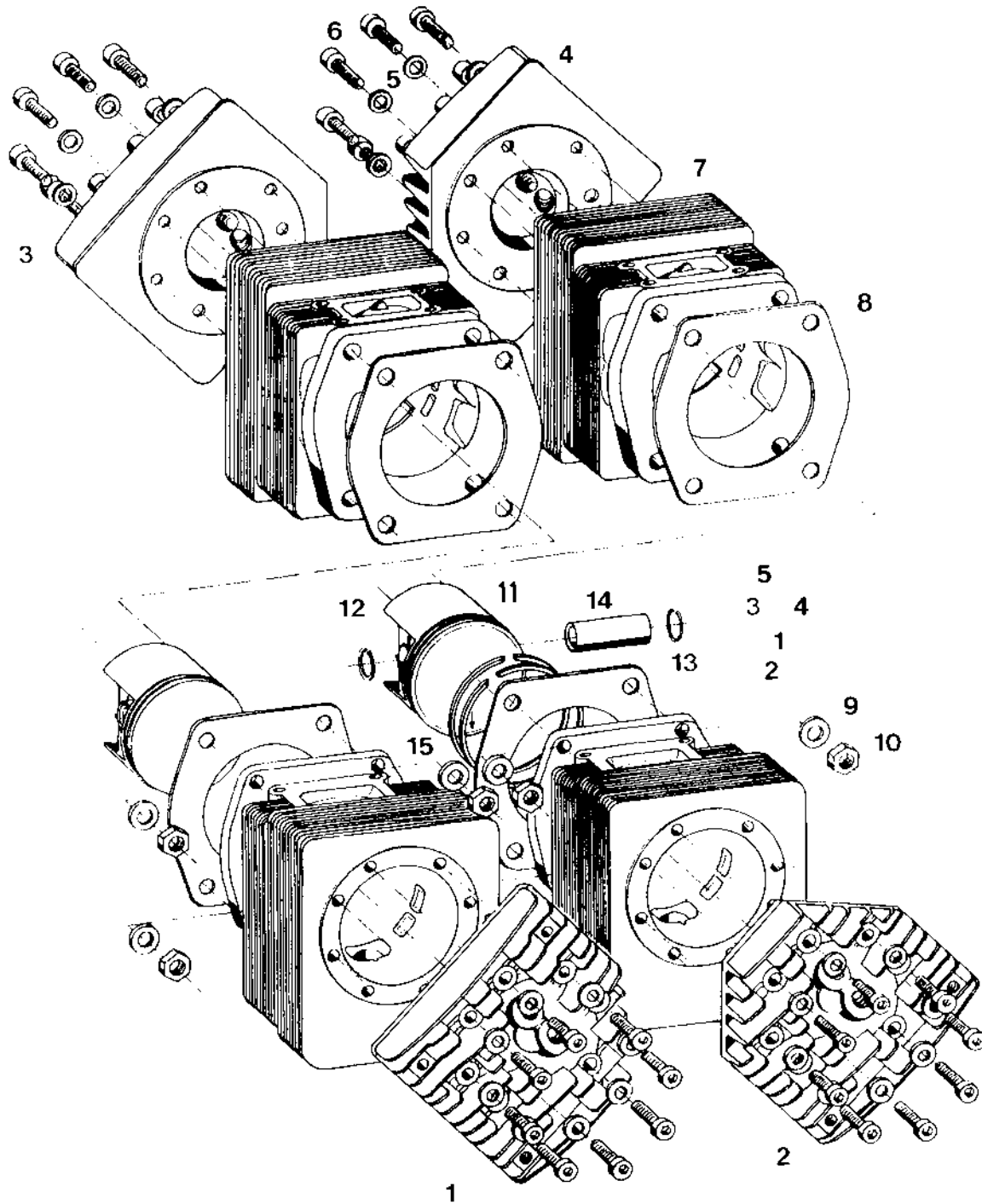
Table of contents of spare part list H 30 ES



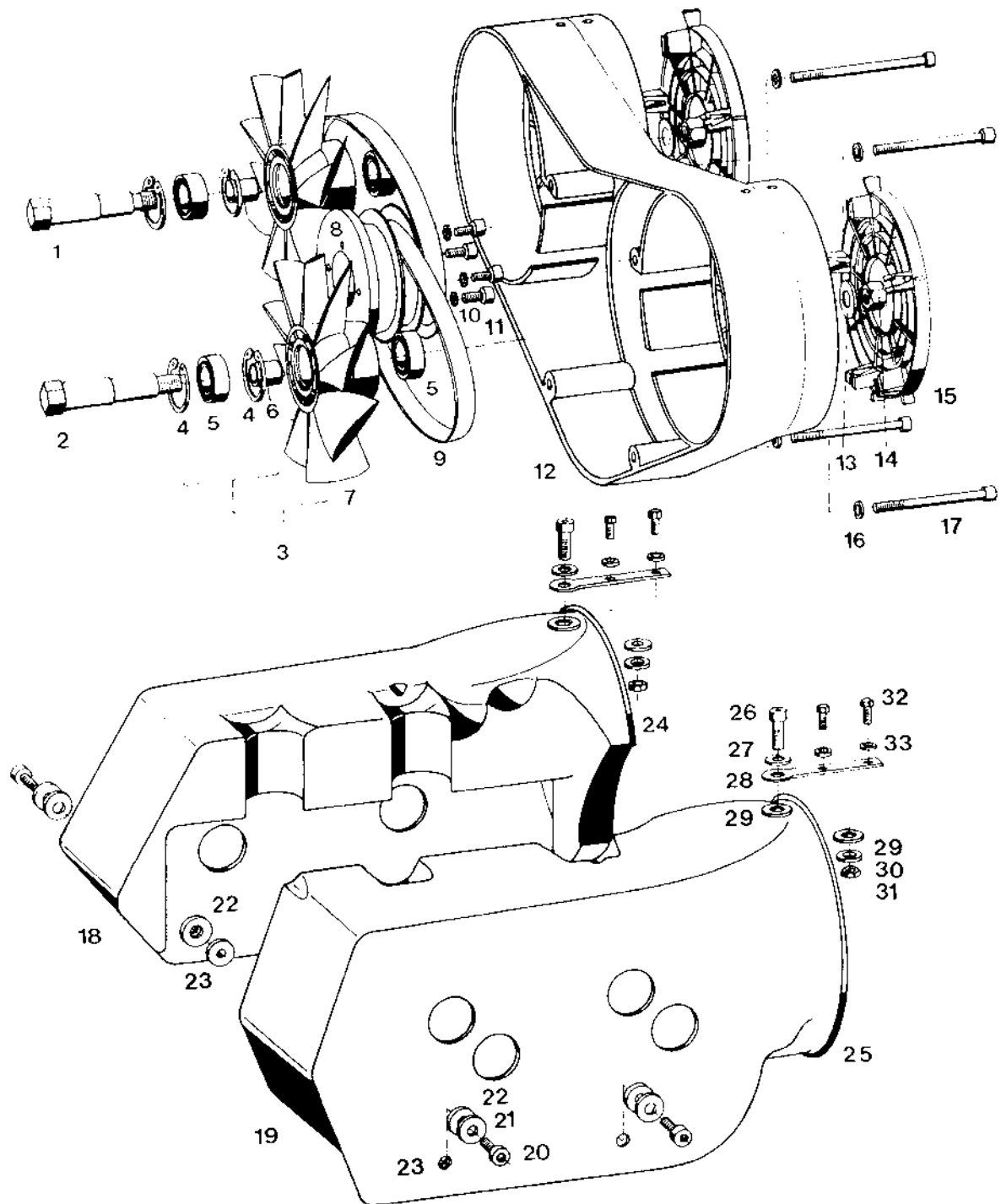
Crank case H 30 ES (H 300 A)



Crank shaft H 30 ES (H 301 A)



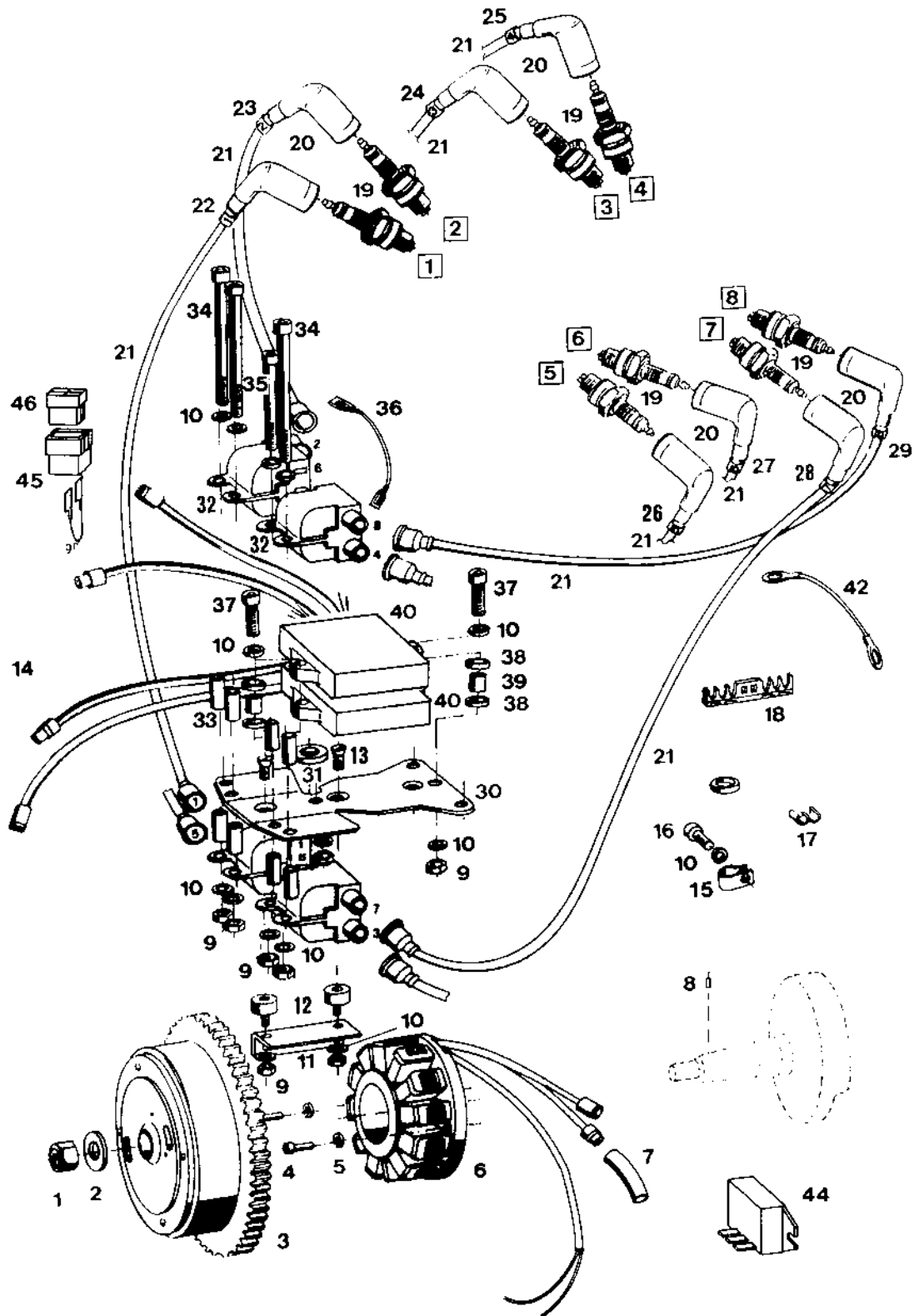
Cylinder dual ignition H 30 ES (H 302 B)



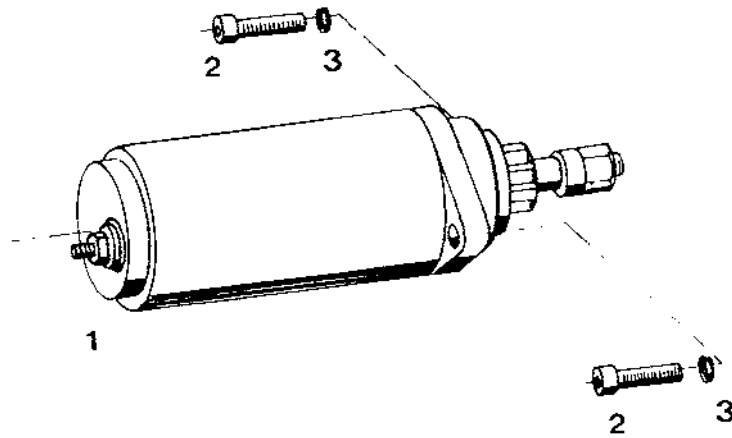
Fan dual ignition H 30 ES (H 303 B)

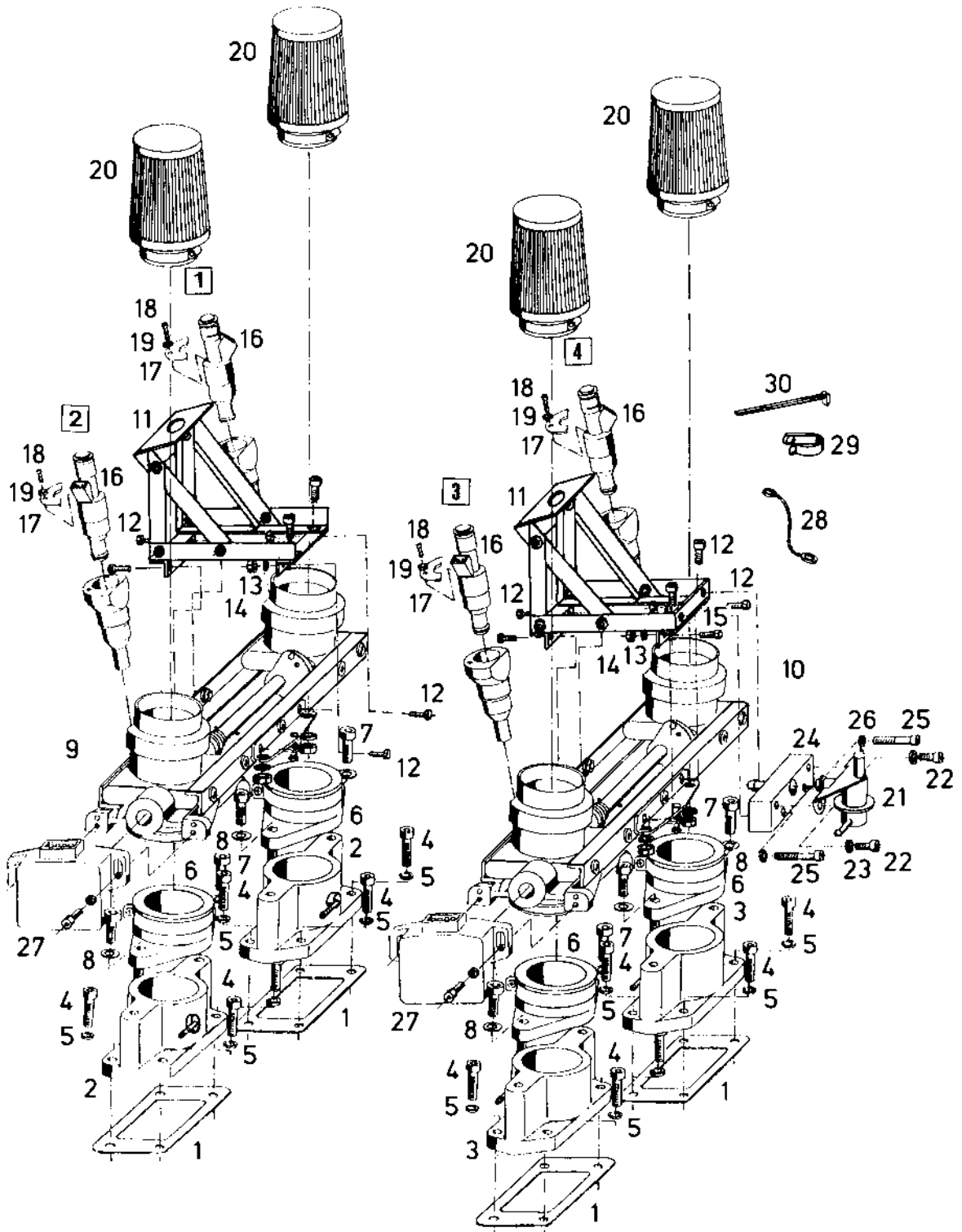
6.

Ignition lighting system dual ignition H 30 ES

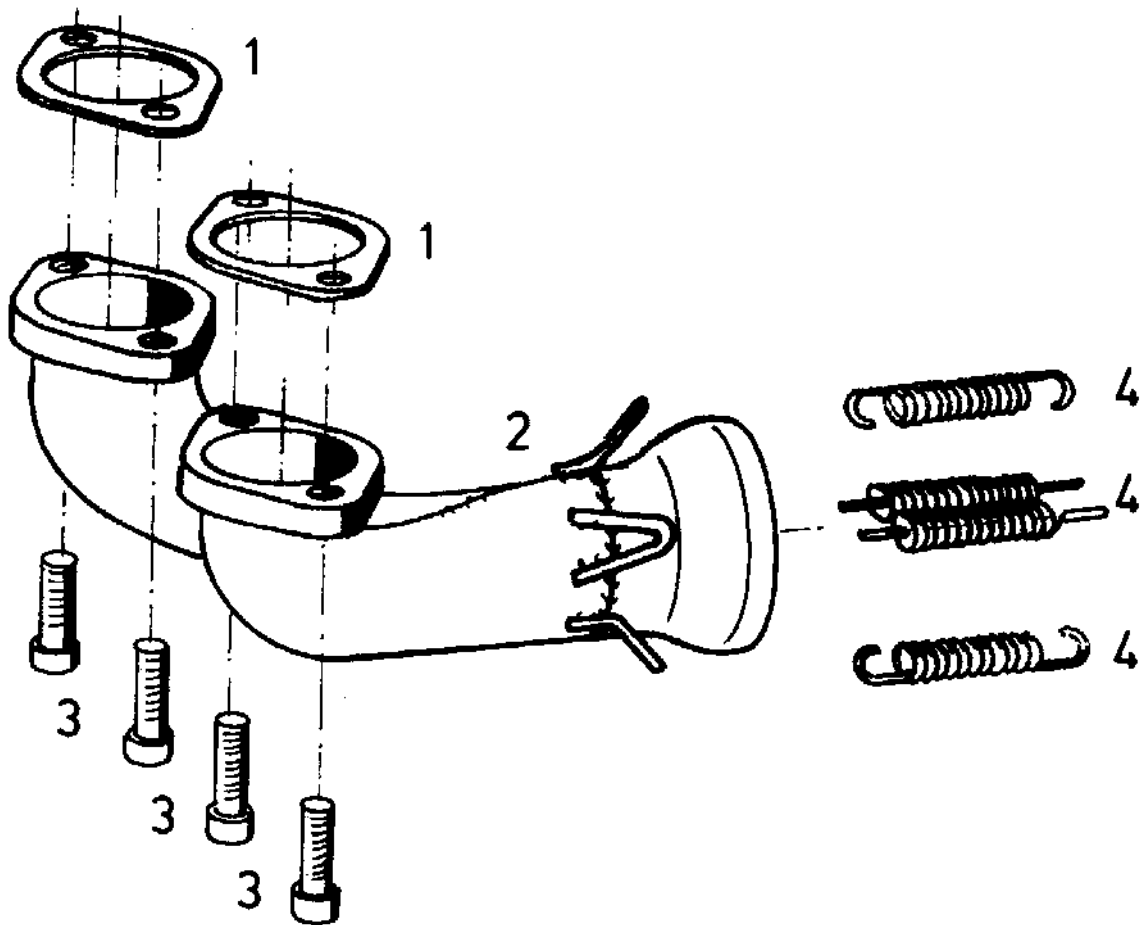


Ignition lighting system dual ignition H 30 ES (H 304 EA, H304 EA1U)

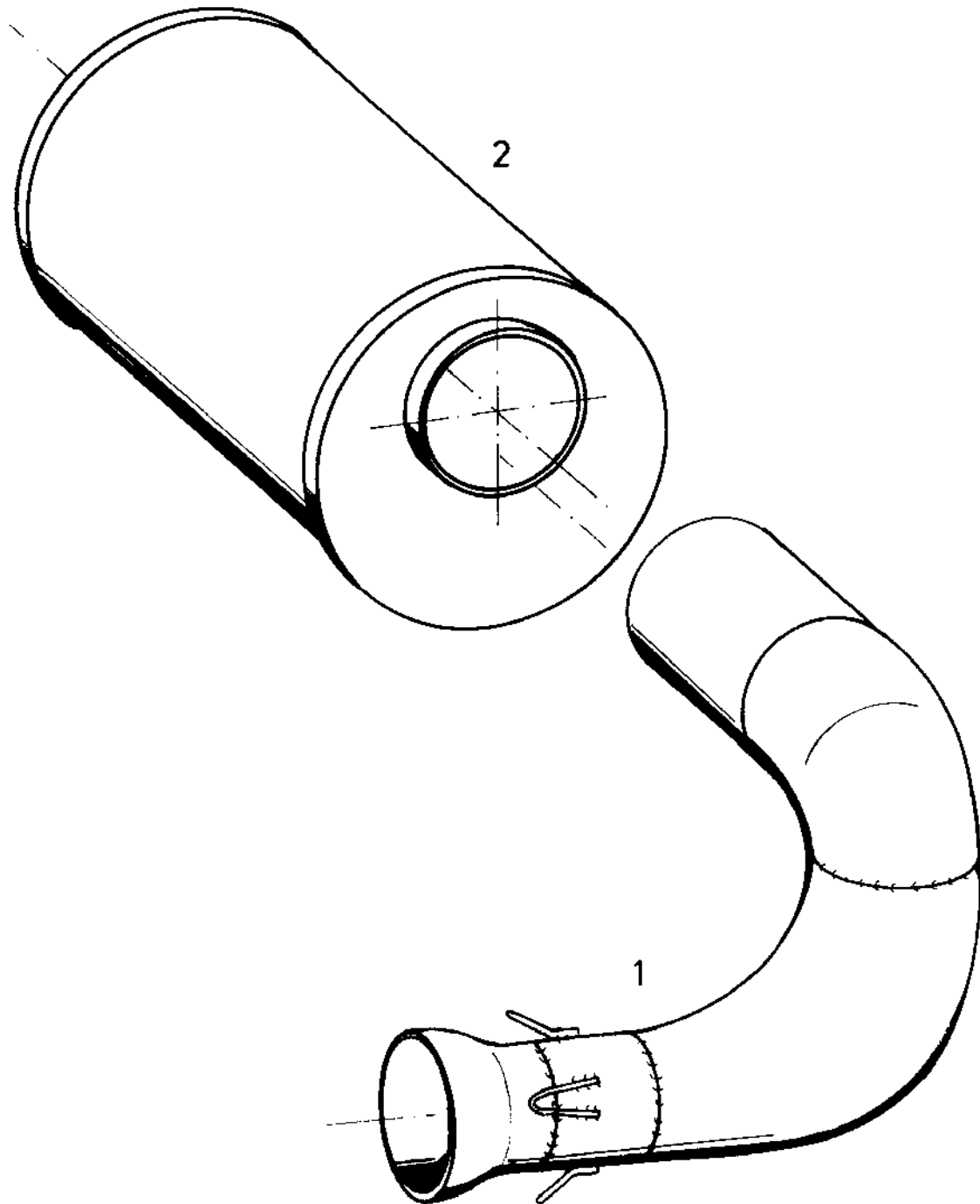
**Start device H 30 ES (H 305 A)**

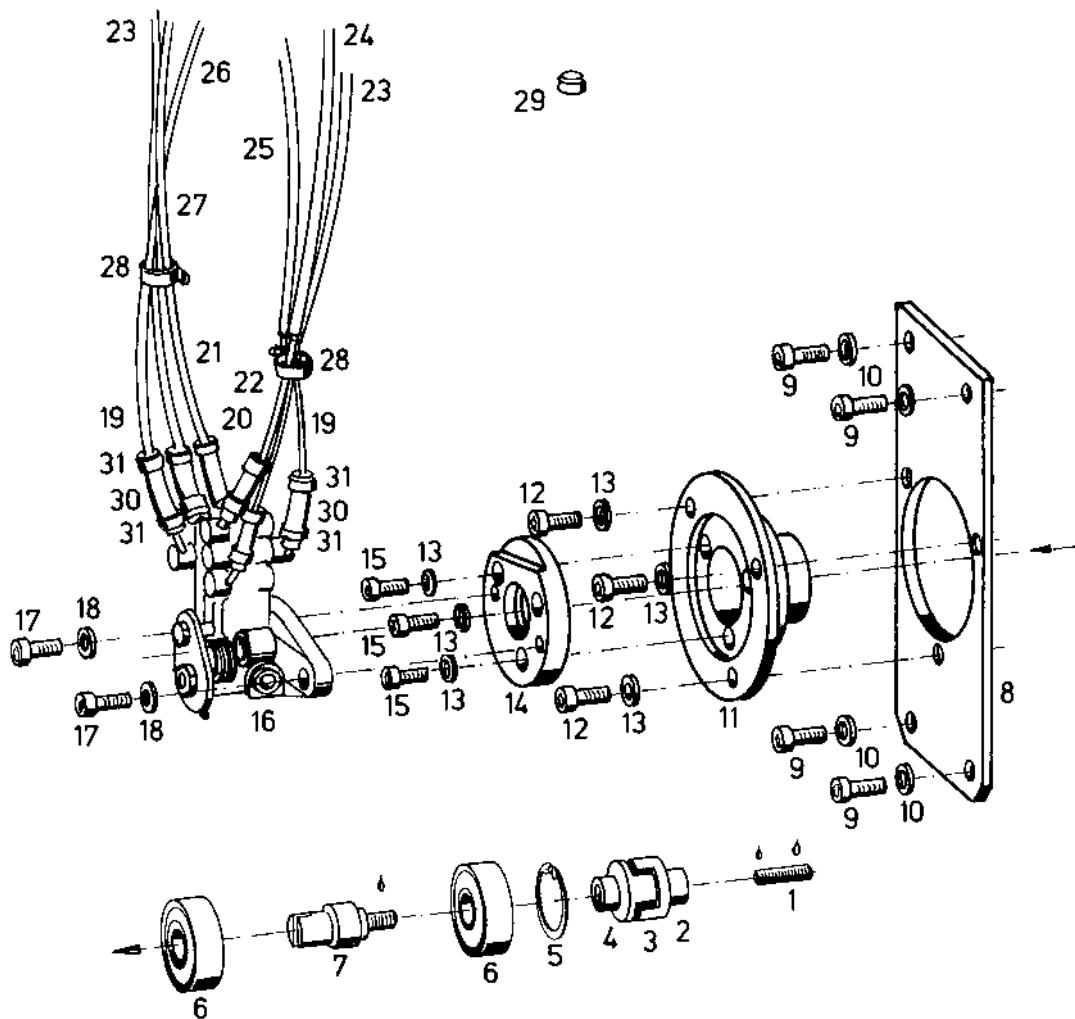


Fuel mixture H 30 ES (H 307 EA)



Exhaust system H 30 ES (F 308 A)

**Exhaust system H 30 ES (F 308 ...)**



Oil injection H 30 ES (H 3011 A)

Bild Nr.	Stückzahl	Benennung	Bestell-Nr.	Bemerkung
Fig. No. Fig. No.	Quant. No.	Designation Designation	Part No. Ref. No.	Remark Note
-	1	Set of gaskets	DI 30/6	
		Includes:		
	2	Shaft sealing ring	055.24/1	
	4	Cylinder base gasket	272 A2	
	4	Outlet gasket	268 A4	
	4	Intake gasket	277 A7	
	8	Sealing ring	DIN 6703 A9,5x6,5x2 A1	

Miscellaneous H 30 ES

